

## HRX-2000

### RECEIVER UNIT



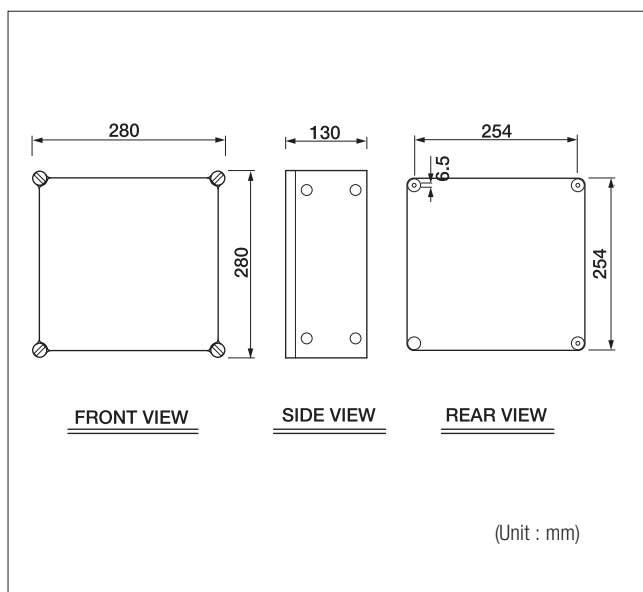
### KEY FEATURES

- Indoor & Outdoor receiver unit
- To control Pan / Tilt / Auto-pan / Lens
- RS-485 communication (Surge protection circuit built-in)
- Power source AC110V / AC220V
- Local Test

### SPECIFICATIONS

Pan/Tilt	Output	4 (Pan Left / Right, Tilt Up / Down)
	Relay	250V AC, 5A
Lens Output	Output	4 (Zoom In / Out, Focus Near / Far)
	Relay	DC12V, 1A
Autopan (Using AUX)	Output	1
	Relay	AC250V/10A, AC110V/5A
Camera Power		DC12V
AUX	Output	2
	Relay	AC250V, 1A
Camera Menu Control		1(HZC-655, GC-755)
Communication	Interface	RS-485(Half-duplex)
	BAUD Rate	2400/4800/9600bps
	Protocol	ScanDome™ II, Multi Protocol
Power Source		AC110V / AC220V, 50/60Hz
Operating Temperature		-18°C ~ 50°C
Operating Humidity		10 ~ 80 % RH
Case Material		ABS, Aluminum die-casting
Weight		4 kg
Dimensions		280(W) x 280(H) x 130(D) mm

### DIMENSIONS



### CONNECTION

